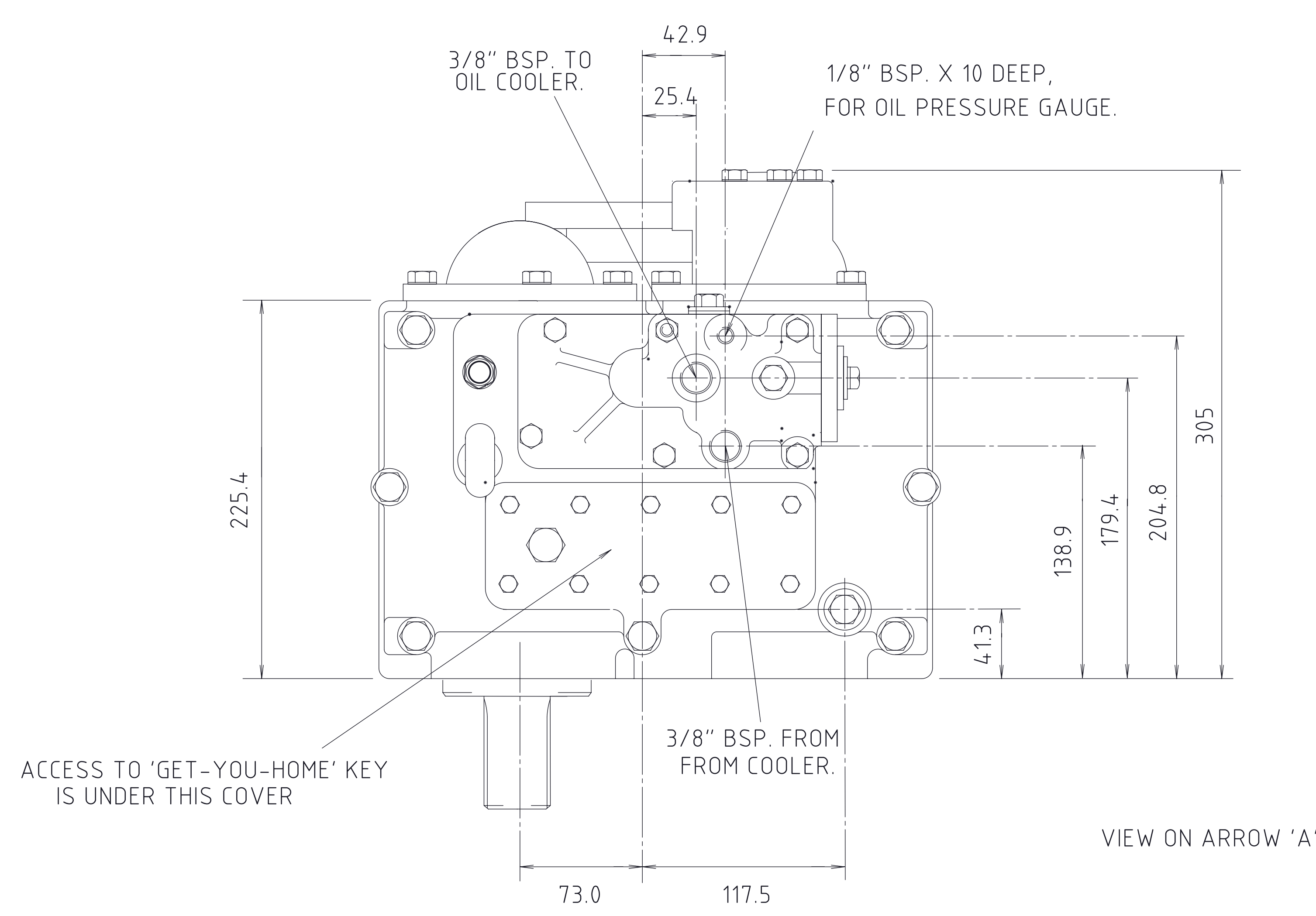
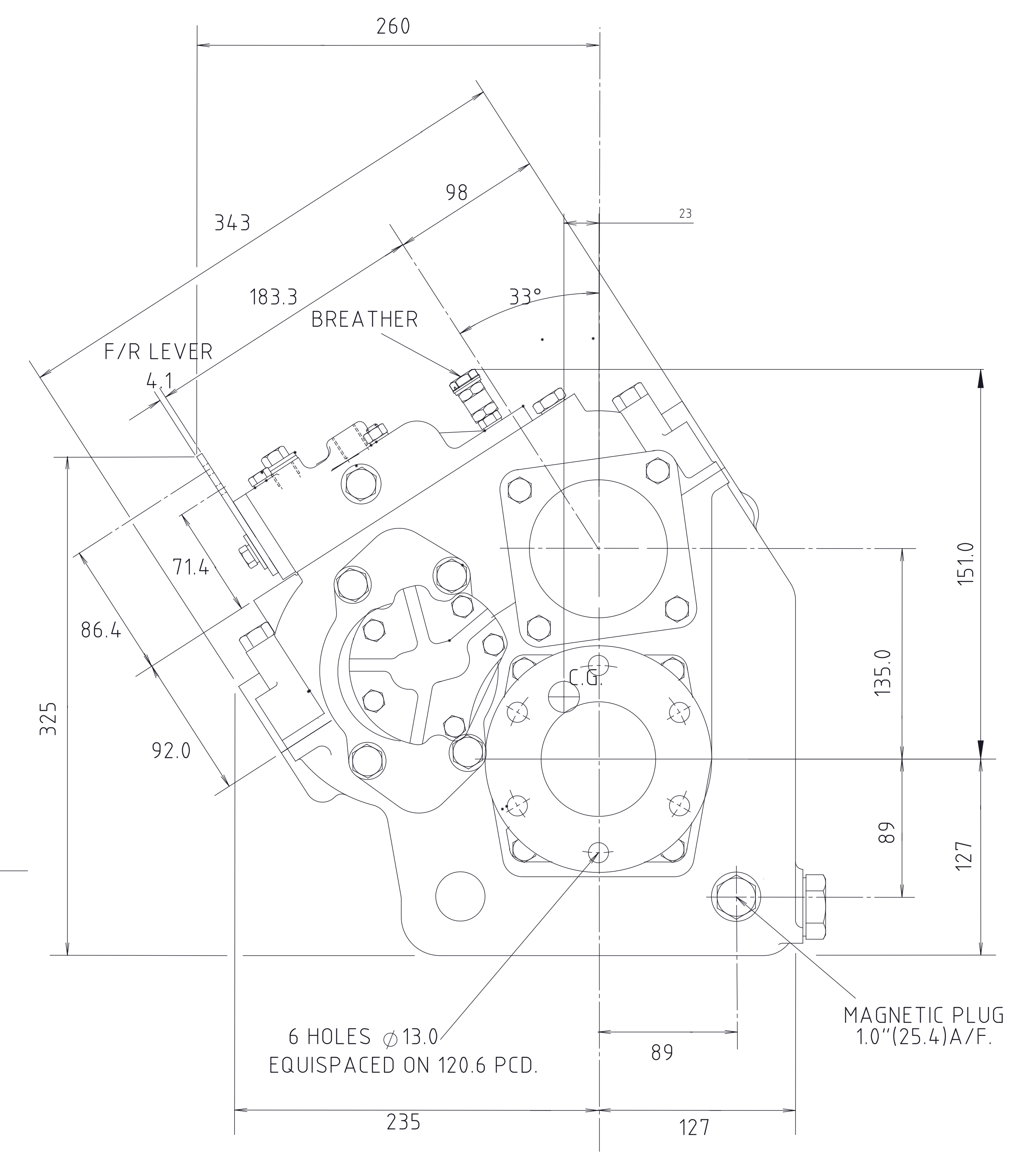
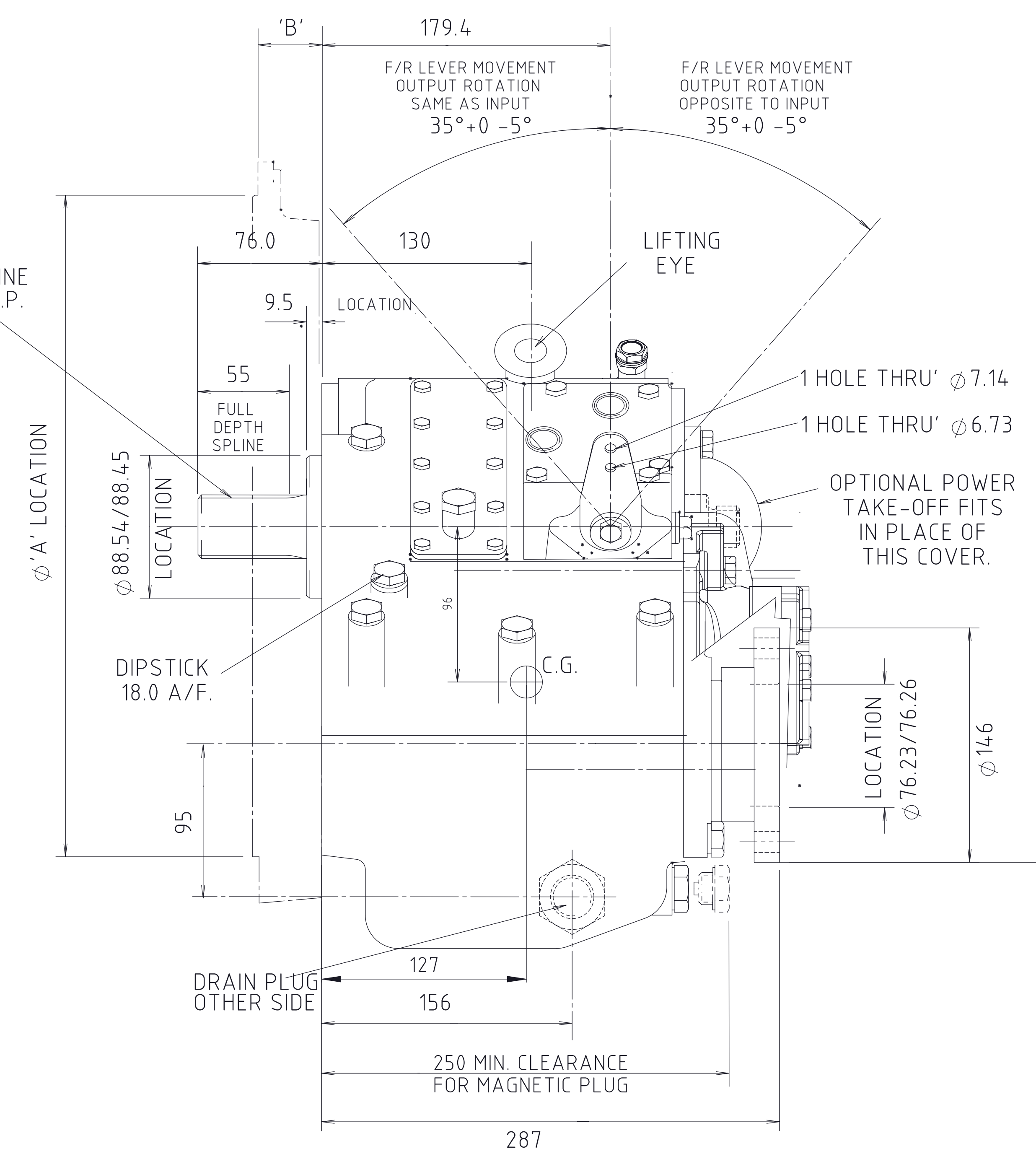
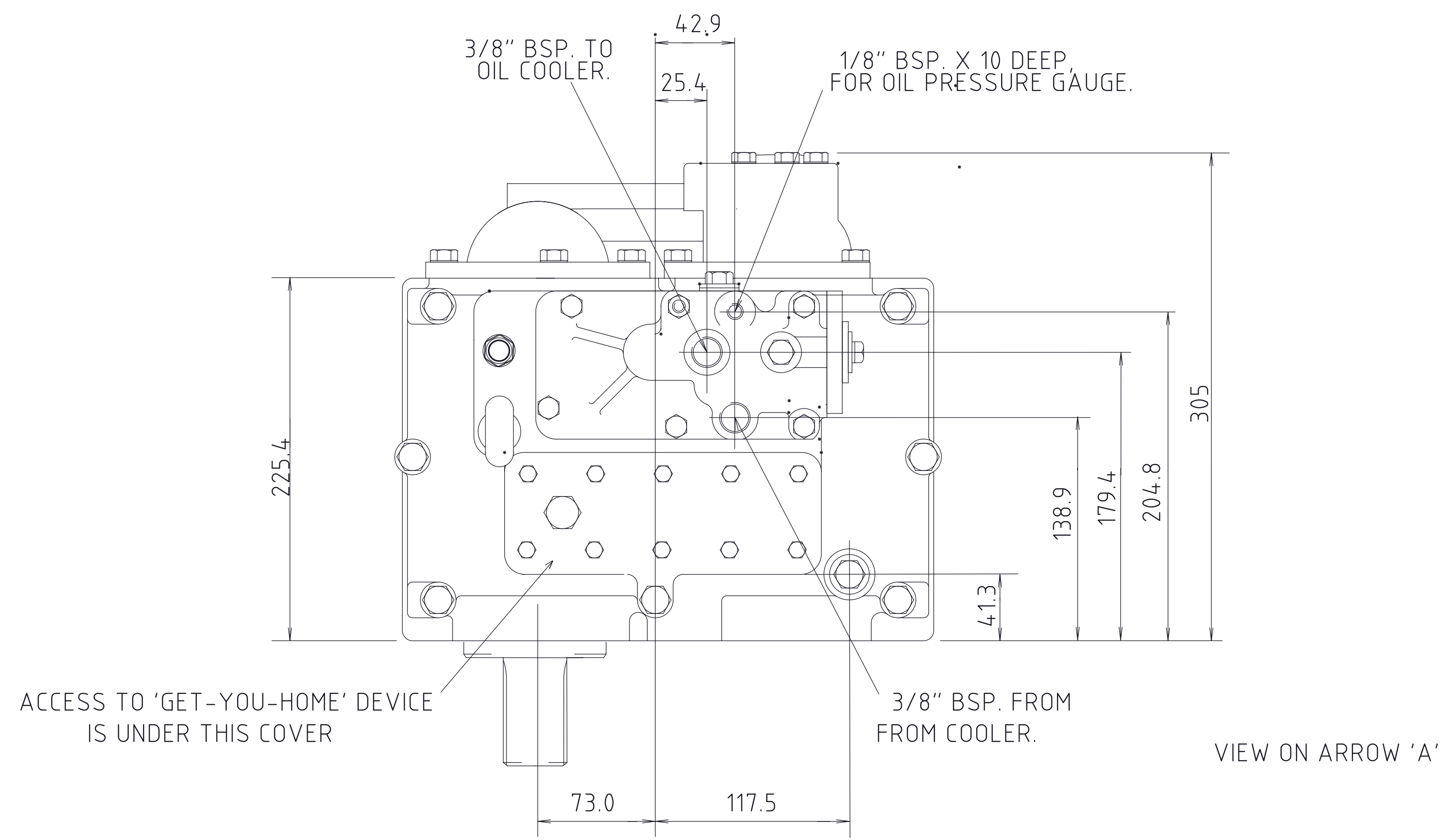
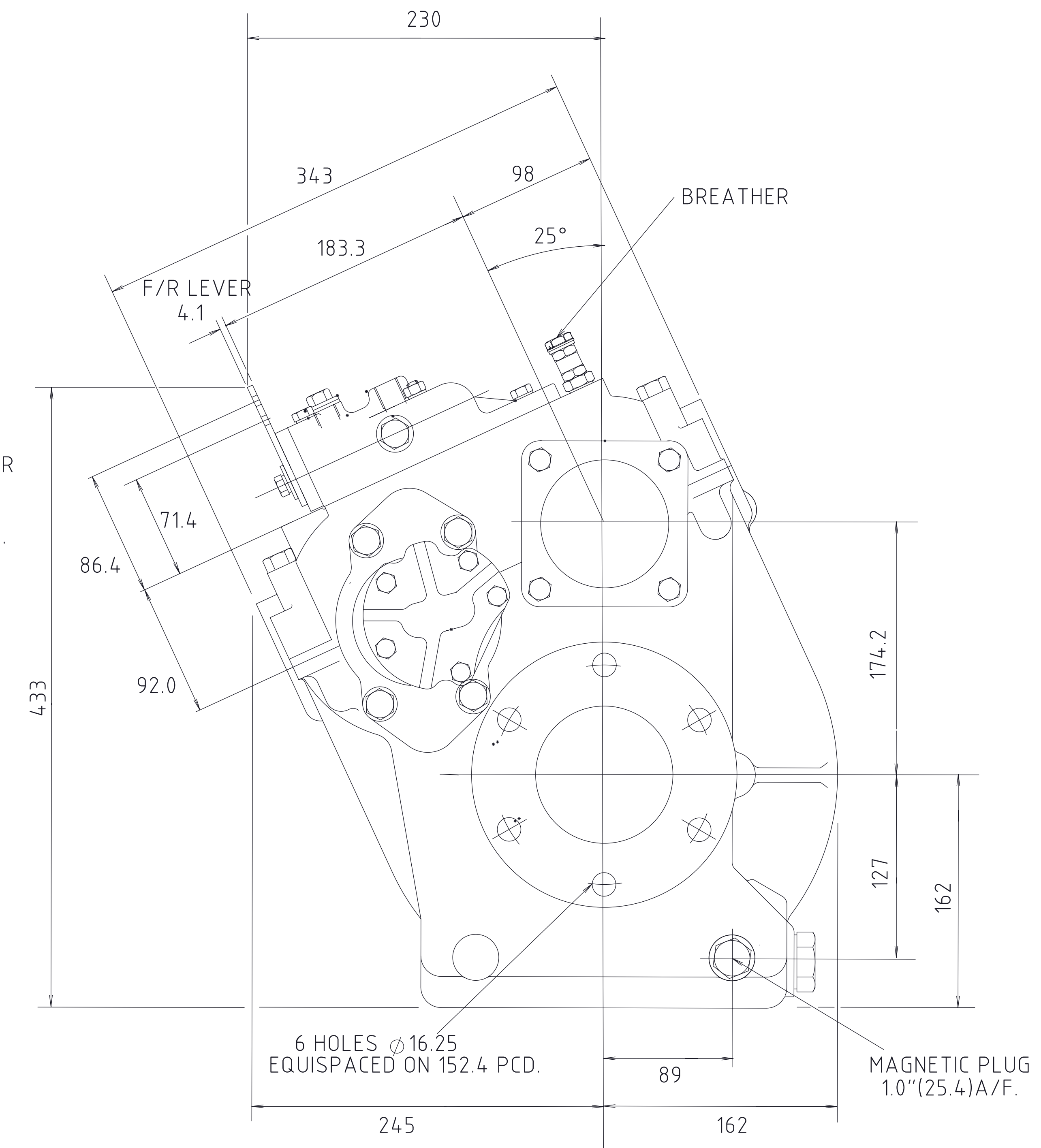
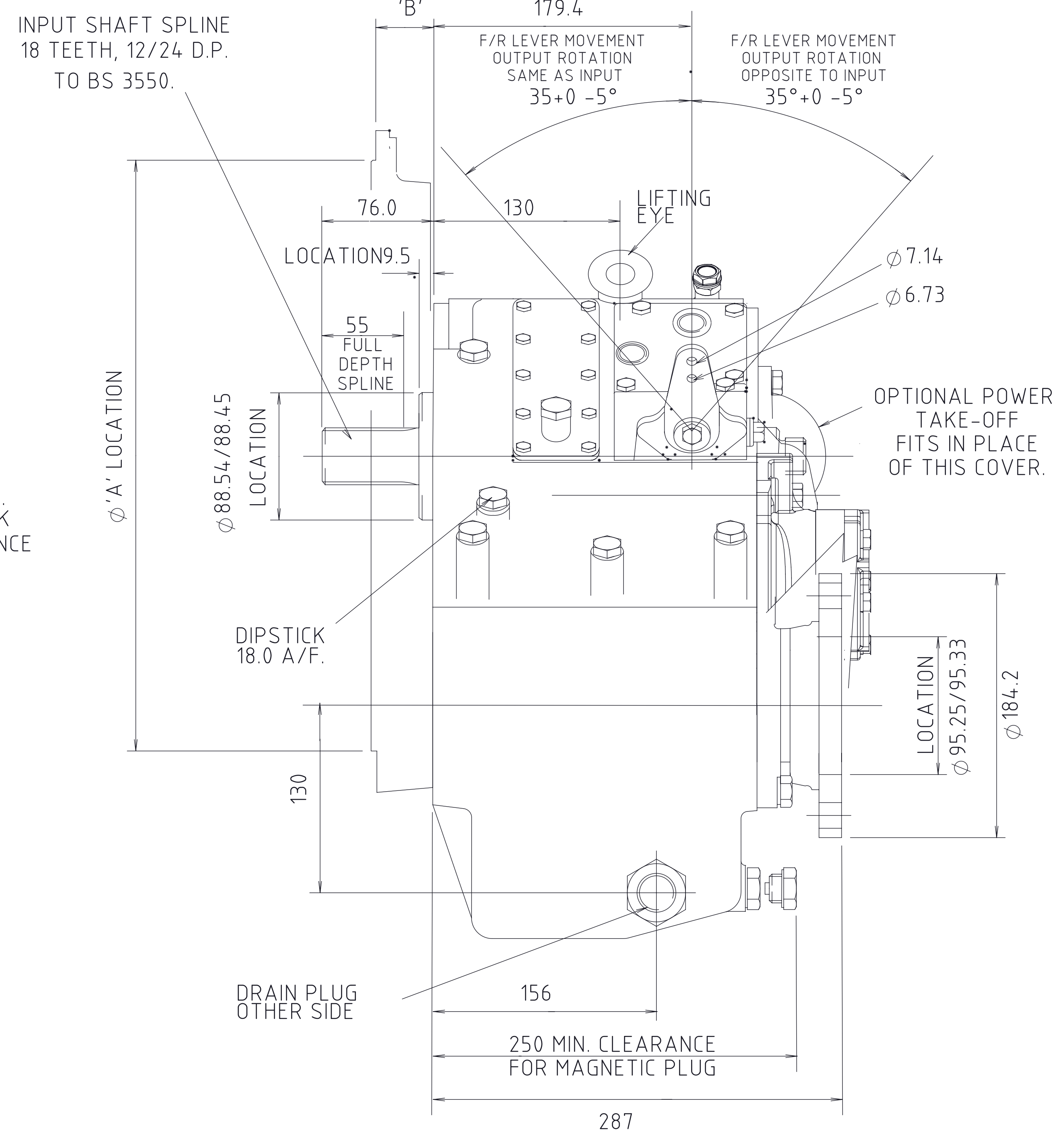
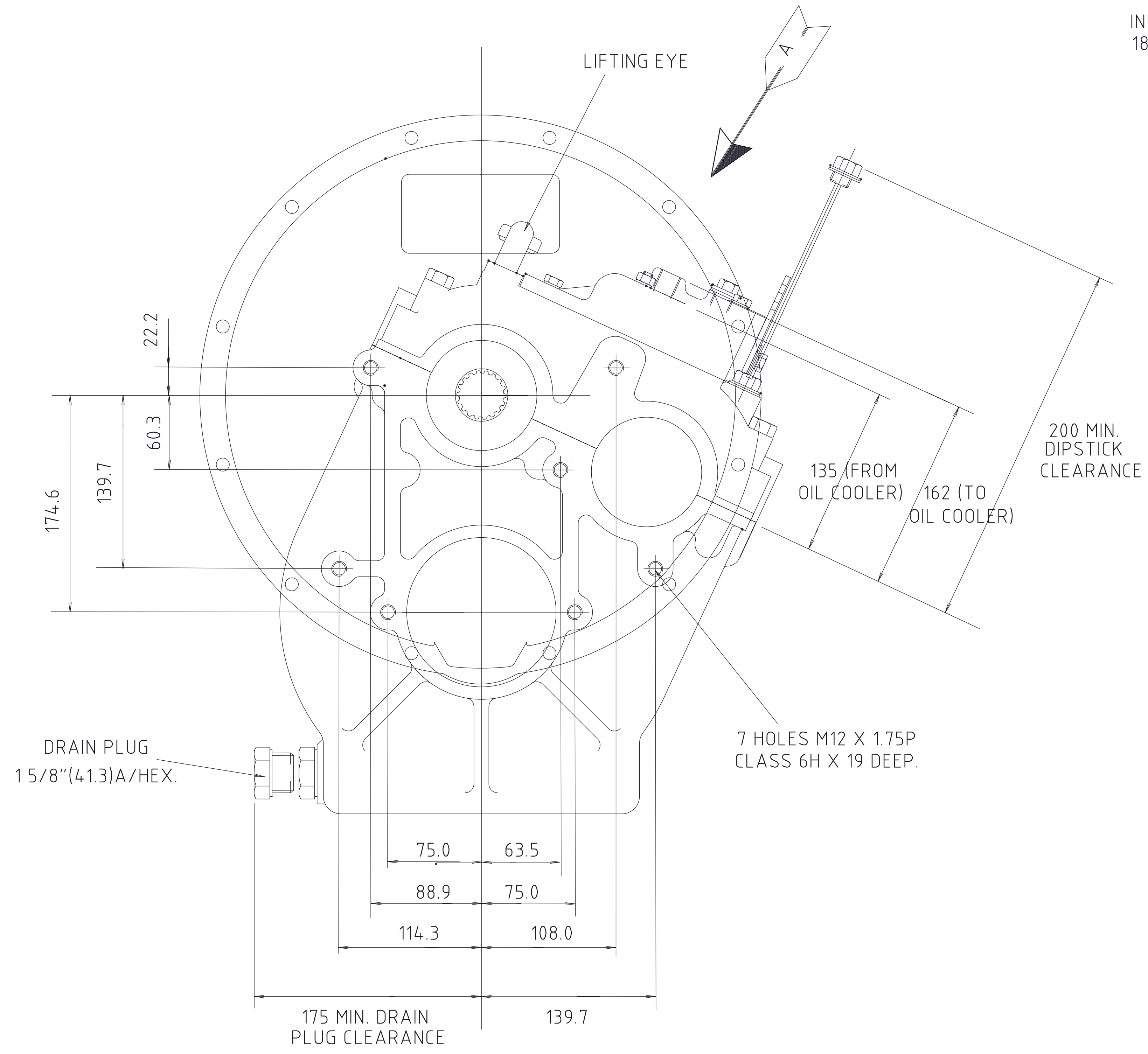


INPUT SHAFT SPLINE  
 18 TEETH, 12/24 D.P.  
 TO BS 3550.



**PRM1000D**



**PRM1000D4**