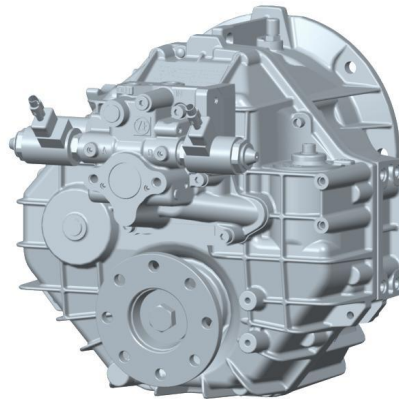


# ZF 68 A

## TECHNICAL DATA SHEET

---

### ZF 68 SERIES PRODUCT DETAILS



#### Description

- Reverse reduction marine transmission with hydraulically actuated multi-disc clutches
- Suitable for high performance applications in motoryachts, sport fishers, express cruisers etc
- Fully works tested, reliable and simple to install
- Design, manufacture and quality control standards comply with ISO 9001
- Compatible with all types of engines and propulsion systems, including waterjets and surface- piercing propellers, as applicable

#### Features

- Lightweight and robust aluminum alloy casing (sea water resistant)
- Case hardened and precisely ground gear teeth for long life and smooth running
- Output shaft thrust bearing designed to take maximum propeller thrust astern and ahead
- B/W connection integrated with casing
- Smooth and reliable hydraulic shifting with control lever for attachment of push-pull cable
- Suitable for twin engine installations (same torque capacity in ahead or astern mode. Reduction Ratios in ahead or astern are very close.)
- Replaceable oil filter cartridge
- Compact, space saving design due to 8° down-angle and beveloid gear principle



# ZF 68 A

## RATINGS

Ratios		Power Factor		Input Power Capacity						Max.	Max.	Max.
'A' Pos	'B' Pos	kW/RPM	hp/RPM	kW	hp	kW	hp	kW	hp	kW	hp	RPM
Pleasure Duty - Diesel				2800 RPM		3300 RPM		3800 RPM				
1.216	1.215	0.0712	0.0955	199	267	235	315	271	363	285	382	4000
1.563	1.583	0.0712	0.0955	199	267	235	315	271	363	285	382	4000
2.037	2.017	0.0712	0.0955	199	267	235	315	271	363	285	382	4000
2.522	2.536	0.0623	0.0835	174	234	206	276	237	317	249	334	4000
2.682	2.709	0.0623	0.0835	174	234	206	276	237	317	249	334	4000
Pleasure Duty - Gasoline				2800 RPM		3300 RPM		3800 RPM				
1.216	1.215	0.0712	0.0955	199	267	235	315	271	363	427	573	6000
1.563	1.583	0.0712	0.0955	199	267	235	315	271	363	427	573	6000
2.037	2.017	0.0712	0.0955	199	267	235	315	271	363	427	573	6000
2.522	2.536	0.0623	0.0835	174	234	206	276	237	317	374	501	6000
2.682	2.709	0.0623	0.0835	174	234	206	276	237	317	374	501	6000
Light Duty - Diesel				2100 RPM		2500 RPM		2800 RPM				
1.216	1.215	0.0679	0.0911	143	191	170	228	190	255	272	364	4000
1.563	1.583	0.0679	0.0911	143	191	170	228	190	255	272	364	4000
2.037	2.017	0.0679	0.0911	143	191	170	228	190	255	272	364	4000
2.522	2.536	0.0557	0.0747	117	157	139	187	156	209	223	299	4000
2.682	2.709	0.0557	0.0747	117	157	139	187	156	209	223	299	4000
Medium Duty - Diesel				2100 RPM		2500 RPM		2800 RPM				
1.216	1.215	0.0578	0.0775	121	163	145	194	162	217	202	271	3500
1.563	1.583	0.0539	0.0723	113	152	135	181	151	202	189	253	3500
2.037	2.017	0.0539	0.0723	113	152	135	181	151	202	189	253	3500
2.522	2.536	0.0475	0.0637	100	134	119	159	133	178	166	223	3500
2.682	2.709	0.0475	0.0637	100	134	119	159	133	178	166	223	3500
Continuous Duty - Diesel				1800 RPM		2100 RPM		2400 RPM				
1.216	1.215	0.0471	0.0632	85	114	99	133	113	152	151	202	3200
1.563	1.583	0.0443	0.0594	80	107	93	125	106	143	142	190	3200
2.037	2.017	0.0443	0.0594	80	107	93	125	106	143	142	190	3200
2.522	2.536	0.0387	0.0519	70	93	81	109	93	125	124	166	3200
2.682	2.709	0.0387	0.0519	70	93	81	109	93	125	124	166	3200

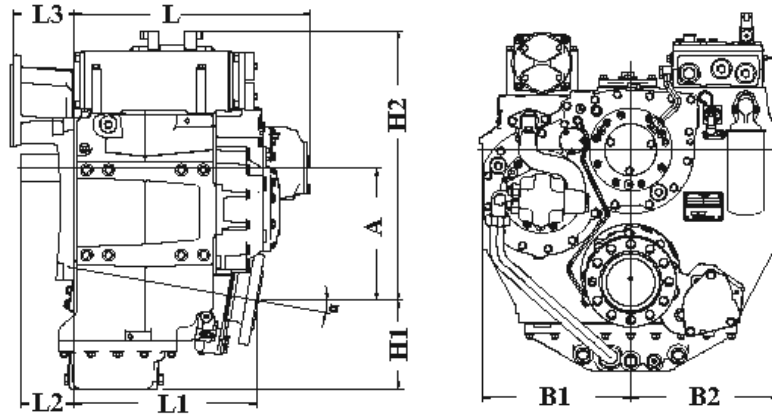
\* Special Order Ratio

'A' Pos: Continuous running position

'B' Pos: Reverse position

# ZF 68 A

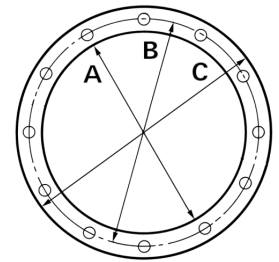
## DIMENSIONS



A	B1	B2	H1	H2	L	L1	L2
Millimeter (mm)							
144.0	178.0	178.0	82.0	284.0	329.0	265.0	65.0
Inch (in)							
5.67	7.01	7.01	3.23	11.18	12.95	10.43	2.56
Angle (°)	Weight (kg)		Weight (lb)		Amount of Oil (l)		Amount of Oil (qt)
8	44		97		4.0		4.2

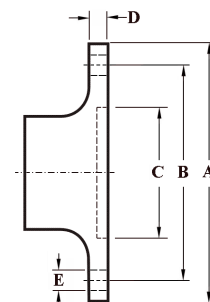
## BELL HOUSING DIMENSIONS

Name	A		B		C		L3		Bolt Holes		
	mm	in	mm	in	mm	in	mm	in	No.	Diameter	
										mm	in
SAE 3	409.58	16.13	428.63	16.88	450.85	17.75	11.0	0.43	12	10.32	0.41
SAE 4	361.95	14.25	381.0	15.0	403.23	15.88			12	10.32	0.41
SAE 5	314.33	12.38	333.38	13.13	355.6	14.0			8	10.32	0.41
B/W											
Volvo D4-D6											
Volvo 30-40											
Yanmar 4LH											



## OUTPUT FLANGE DIMENSIONS

A		B		C		D		Bolt Holes		
mm	in	mm	in	mm	in	mm	in	No.	Diameter (E)	
									mm	in
133.0	5.24	108.0	4.25	63.5	2.5	9.5	0.37	8	11.5	0.45



# GENERAL INFORMATION

---

## Duty Definitions

### Pleasure Duty

Highly intermittent operation with very large variations in engine speed and power.

Average engine operating hours limit:	500 hours/year 300 hours/year for mechanical gearboxes
Typical hull forms:	Planing
Applications:	Private, non-commercial, non-charter leisure activities, no racing

### Light Duty

Intermittent operation with large variations in engine speed and power.

Average engine operating hours limit:	2500 hours/year (for hydraulic transmissions smaller than ZF 2000 series, 2000 hours/year)
Typical hull forms:	Planing and semi-displacement
Typical applications:	Private and charter, sport/leisure activities, naval and police activities

### Medium Duty

Intermittent operation with some variations in engine speed and power.

Average engine operating hours limit:	4000 hours/year (for hydraulic transmissions smaller than ZF 2000 series and workboat ZF W2700 series, 3500 hours/year)
Typical hull forms:	Semi-displacement and displacement
Typical applications:	Charter and commercial craft (example: crew boats), and naval and police activities

### Continuous Duty

Continuous operation with little or no variations in engine speed and power.

Average engine operating hours limit:	Unlimited
Typical hull forms:	Displacement
Typical applications:	Heavy duty commercial vessels

---

## Technical Notes

### Duty Ratings

Ratings apply to marine diesel engines at the indicated speeds. At other engine speeds, the respective power capacity (kW) of the transmission can be obtained by multiplying the Power/Speed ratio by the speed. Approximate conversion factors:

- 1 kW = 1.36 metric hp
- 1 kW = 1.34 U.S. hp (SAE)
- 1 U.S. hp = 1.014 metric hp
- 1 Nm = 0.74 lb.ft.
- 1 Kg = 0.454 lb

Ratings apply to right hand turning engines, i.e. engines having counterclockwise rotating flywheels when viewing the flywheel end of the engine. These ratings allow full power through forward and reverse gear trains, unless otherwise stated. Contact your nearest ZF Sales and Service office for ratings applicable to gas turbines, as well as left hand turning engines, and marine transmissions for large horsepower capacity engines. Ratings apply to marine transmissions currently in production or in development and are subject to change without prior notice.

**NOTE:** The maximum rated input power must not be exceeded (see respective ratings in the technical data sheets).

### Safe Operating Notice

The safe operation of ZF products depends upon adherence to technical data presented in our brochures. Safe operation also depends upon proper installation, operation and routine maintenance and inspection under prevailing conditions and recommendations set forth by ZF. Damage to transmission caused by repeated or continuous emergency manoeuvres or abnormal operation is not covered under warranty. It is the responsibility of users and not ZF to provide and install guards and safety devices, which may be required by recognized safety standards of the respective country (e.g. for U.S.A. - the Occupational Safety Act of 1970 and its subsequent provisions).

### Monitoring Notice

The safe operation of ZF products depends upon adherence to ZF monitoring recommendations presented in our operating manuals, etc. It is the responsibility of users and not ZF to provide and install monitoring devices and safety interlock systems as may be deemed prudent by ZF. Consult ZF for details and recommendations.

### Survey Society Classification

In most cases, the maximum medium and continuous duty ratings permitted by ZF are accepted in full by major classification societies. If classification is required, contact ZF regarding proper procedures (also for yacht service and ice classifications service).

### Dimensions and Weights

Dimensions and weights refer to transmissions with bell housing (where appropriate) but excluding options such as: trolling valves, power take-offs, propeller shaft companion flanges, torsional couplings etc.

---

## Torsional Vibration and Torsional Couplings

The responsibility for ensuring torsional vibration compatibility rests with the overall propulsion system integration responsible party.

Compatibility check of torsional vibration must include excitations induced by engine governor. ZF cannot accept any liability for gearbox noise or for damage to the gearbox, the flexible coupling or to other parts of the drive unit caused by torsional vibrations. Contact ZF for further information and assistance.

For single engine powered boats, where loss of propulsion can result in loss of control, ZF recommends the use of a torsional limit stop. It is the buyer's responsibility to specify this option. ZF cannot accept any liability for personal injury, loss of life or damage or loss of property due to the failure of the buyer to specify a torsional limit stop.

ZF selects torsional couplings on the basis of nominal input torque at commonly rated engine speeds. Consult ZF for details concerning speed limits of standard offered torsional couplings, which can be below transmission limits. Special torsional couplings may be required for Survey Society requirements.